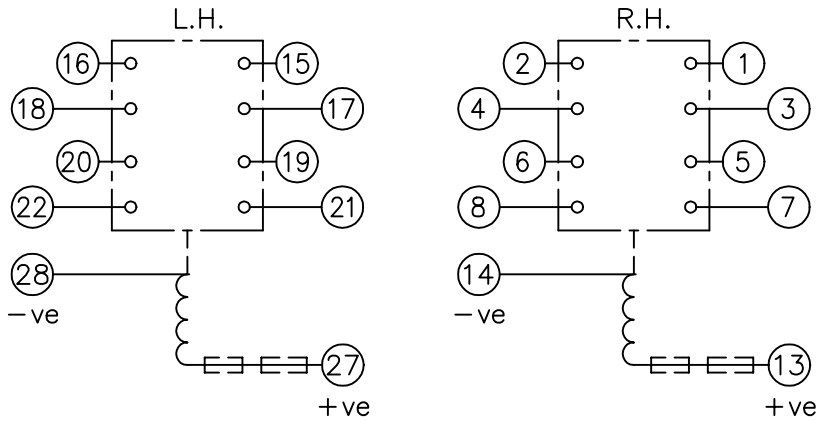


**NOT SUBJECT TO UPDATE
ONCE COPIED / PRINTED
OR DOWNLOADED**

LOOKING ON FRONT OF RELAY

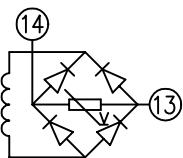
2112W50099



NOTE:

1. RESISTORS ARE NOT REQUIRED ON OTHER VOLTAGE VARIATIONS.
- * 2. THE AR141T2 125VDC & 240VDC VERSIONS MUST HAVE RESISTOR 2101C21471 FITTED INSTEAD OF THE ONE SPECIFIED ON CHART. SEE RELEVANT B.O.M.
3. HEAVY DUTY CONTACTS ARE FITTED WITH BLOWOUT MAGNETS AND ARE POLARITY CONSCIOUS. SEE TABLE FOR +VE TERMINAL.

KEY	125	* 2101C21102 ONLY.	NIL.	SEE NOTE 2 *					
	240	* 2101C21102 +EXT. RES.	EXT. RES. ONLY	SEE NOTE 2 *					
make contact	VDC	RES.(T1,T2,T3,T6).	RES.(T4).	REMARKS					
break contact	CONTACT CONFIG.		OUTPUT CONTACT PAIR / TERMINAL No.						
c/o contact	R.H. →		1-3	2-4	5-7	6-8	9-11	10-12	NOTE: WHEN RECTIFIER IS SPECIFIED COIL CONNS. ARE AS SHOWN.
ext. conn	L.H. →		15-17	16-18	19-21	20-22	23-25	24-26	
plug bridge - shorting	4M		M	M	M	M			
metering point	3M	1B	M	B	M	M			
5Kv barrier	2M	2B	B	B	M	M			
test socket - shorting	1M	3B	B	B	M	B			
plug & socket		4B	B	B	B	B			
	4M(HD)		M+	M+	M+	M+			
	3M(HD)	1B(HD)	M+	M+	M+	+B			
	2M(HD)	2M(STD)	M+	M+	M	M			
	2M(HD)	2B(STD)	M+	M+	B	B			



FRAME REFERENCE: E4FE02.

FRAME TERMINAL BLOCK ASSY: -

ASSEMBLY INSTRUCTIONS: -
TYPICAL ASSEMBLY DRAWING 2995G10032.
AT INDICATED POSITIONS FIT AS FOLLOWS:
T - FIT TRIP ISOLATION CONTACT 2995B10053
S - FIT STANDARD CONTACT 2995B10054
SECURE CONTACTS USING FIXING SCREW 2109F99009.
POSITIONS SHOWN BLANK ARE UNUSED

2	T	T	1
4	T	T	3
6	T	T	5
8	T	T	7
10			9
12			11
14	S	S	13
16	T	T	15
18	T	T	17
20	T	T	19
22	T	T	21
24			23
26			25
28	S	S	27

VIEW FROM NUMBERED
SIDE OF BLOCK

OUTER TERMINAL BLOCK ASSY: -

ASSEMBLY INSTRUCTIONS: -
TYPICAL ASSEMBLY DRAWING 2995G10029.
AT INDICATED POSITIONS FIT AS FOLLOWS:
S - FIT STANDARD CONTACT 2995B10051
HC - FIT 'HEAVY CURRENT' KIT 2995G10030
WHERE IS SHOWN FIT CT SHORTING
KIT 2995G10031
POSITIONS SHOWN BLANK ARE UNUSED.
ALL POSITIONS FIT SCREW 2106F12506.

2	S	S	1
4	S	S	3
6	S	S	5
8	S	S	7
10			9
12			11
14	S	S	13
16	S	S	15
18	S	S	17
20	S	S	19
22	S	S	21
24			23
26			25
28	S	S	27

VIEW FROM INSIDE
FACE

1	29/04/99	MOD.No.	Title. T.B. AND W.D. FOR AR2-1T- 4 CONTACT RELAYS IN EPSILON E4 CASE.		First used on:
			Reyrolle Protection Hebburn.		Similar Articles:
Original Scale:		Supersedes:			
		Drg.No. 2112W50099		Copyright © 1999	
ISSUE	DATE			MOD.No.	APPROVED: R.D.WATSON